

VISION SWING HANDLE COMPACT WITH CYLINDER



Low profile compact swing handle with cylinder for cam. Available in push-to-latch version where the spring-loaded cam latches when the handle is pushed in.



MATERIAL

Cylinder: Zinc die cast, stainless steel 304 cap and dust shutter

Dish: Glass fibre reinforced polyamide (PA6GF30)

Handle: Zinc die cast, black texture powder coated

Pivot shaft: Zinc die cast, zinc plated

RELATED PRODUCTS

Cams: 1-008.51, 2-480

Rods: 2-540, 2-541, 2-545

Rod guides: 2-560, 2-570

Rod adapters: 2-541

Similar products: 1-006.01

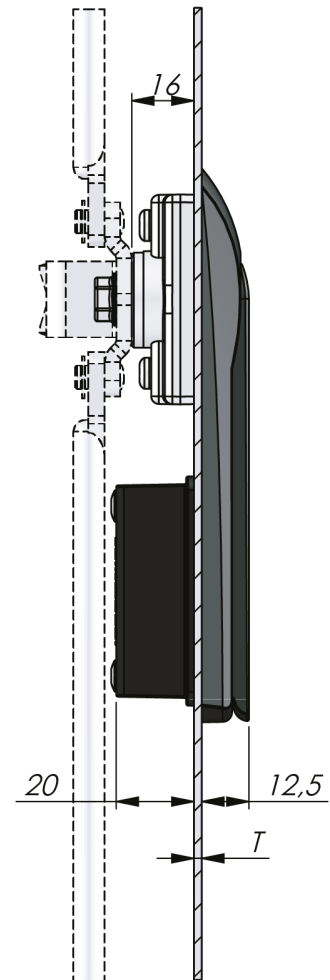
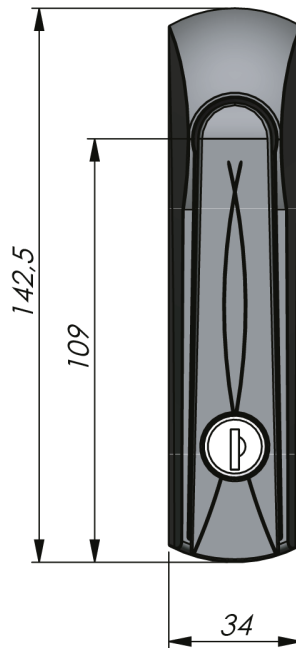
Use the Index Code at industrilas.com

TECHNICAL INFORMATION

Cutout: Version B

Cylinder information: Master key system on request, Supplied with two keys

Standards: IP66, NEMA 4



Make your selections in each column to create your article number (AAAAAABCD-EEEE)

AAAAAA Material	B Opening rotation	C Door thickness T	D PDL	EEEE Cylinder
141611 Handle zink / dish PA6	1 90° clockwise or counter-clockwise	1 0,8 - 1,5 mm	0 No	C21S Keyed alike IL101
	2 90° counter-clockwise	2 1,6 - 2,5 mm		C22S Keyed to differ *
	3 90° clockwise	3 2,6 - 3,5 mm		C23S Keyed alike IL0333

PDL = Spring loaded padlock loop retracts when handle is released.

Version B

